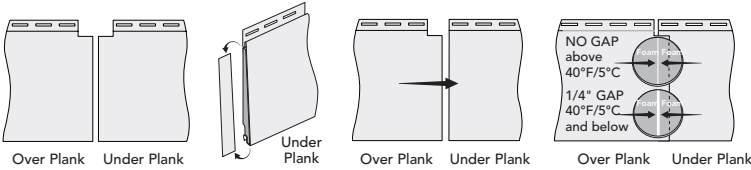


IMPORTANT: Failure to follow Gentek Building Products' written installation instructions and comply with applicable building codes may violate laws and affect siding performance and warranty coverage. For complete installation instructions, visit ALIGNCompositeCladding.com.

PLANK OVERLAP



End cut required on Under Plank for proper overlap.

Remove end of Under Plank not adhered to foam.

Overlap Over Plank on top of Under Plank.

Ensure foam location/gap and fasten plank to wall:

- 0" gap for install temp above 40°F/5°C.
- 1/4" gap for install temp 40°F/5°C and below.

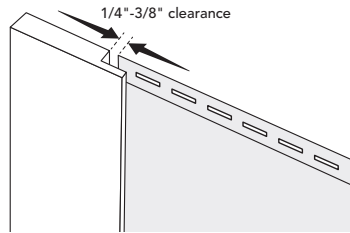
Confirm previously placed fasteners of under plank are still in center of nailing slot.

CLEARANCE BETWEEN PLANK AND RECEIVING CHANNELS

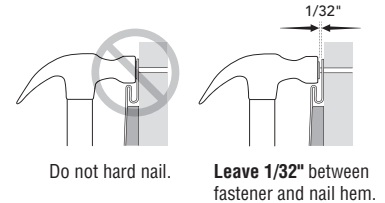
Allow gap between planks and channeled accessories:

- 1/4" for install temp above 40°F/5°C.
- 3/8" for install temp 40°F/5°C and below.

Remove end of plank not adhered to foam before inserting into channeled accessory.



FASTENING

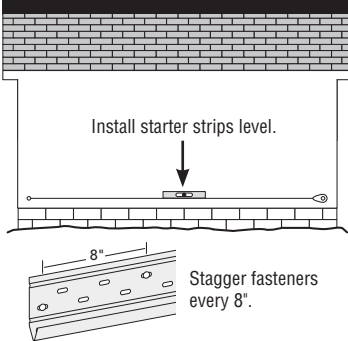


Do not hard nail.

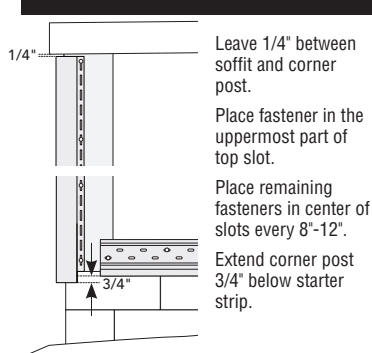
Leave 1/32" between fastener and nail hem.

Center fastener in slots, 16" O.C.

STARTER STRIP



OUTSIDE CORNER POST



TOOLS AND BLADES

VERTICAL CUTS [IMPORTANT]: Must be straight. Circular saw with a fine tooth (plywood) blade installed backward.

Tin snips; avoid closing blade completely at end of each stroke for a cleaner cut.

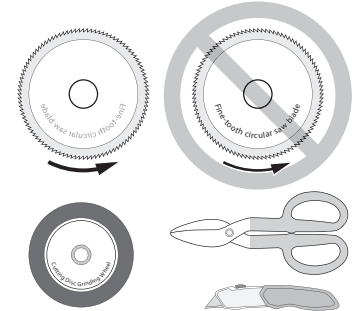
HORIZONTAL CUTS

Angle grinder with grinder blade.

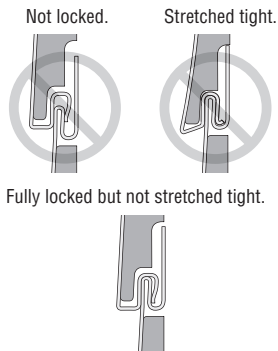
Utility knife or scoring tool; score across and through the face of plank, into foam backing, and snap in half.

ANGLE CUTS

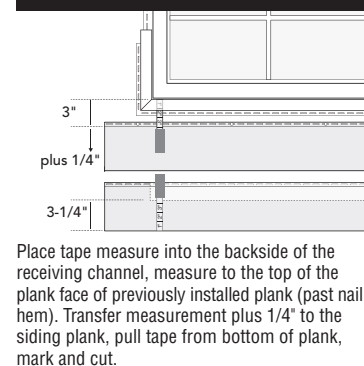
Saws, snips and grinder blades are acceptable.



STACK LOCK ENGAGEMENT

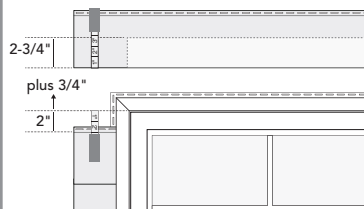


PLANK RIP CUTS BELOW OBSTACLES



PLANK RIP CUTS ABOVE OBSTACLES

Hook tape measure onto the backside of the receiving channel, measure to the top of the plank face (past nail hem) of previously installed plank. Transfer measurement plus 3/4" to the siding plank, pull tape from bottom of plank, mark and cut.



FINISH TRIM – SECURING PLANK RIP CUTS

Use anytime the top nail hem or bottom stack lock of plank has been removed.

Insert into the sill and header receiving channel.

Receiving channel is installed prior to finish trim and measurements for panel cuts.

